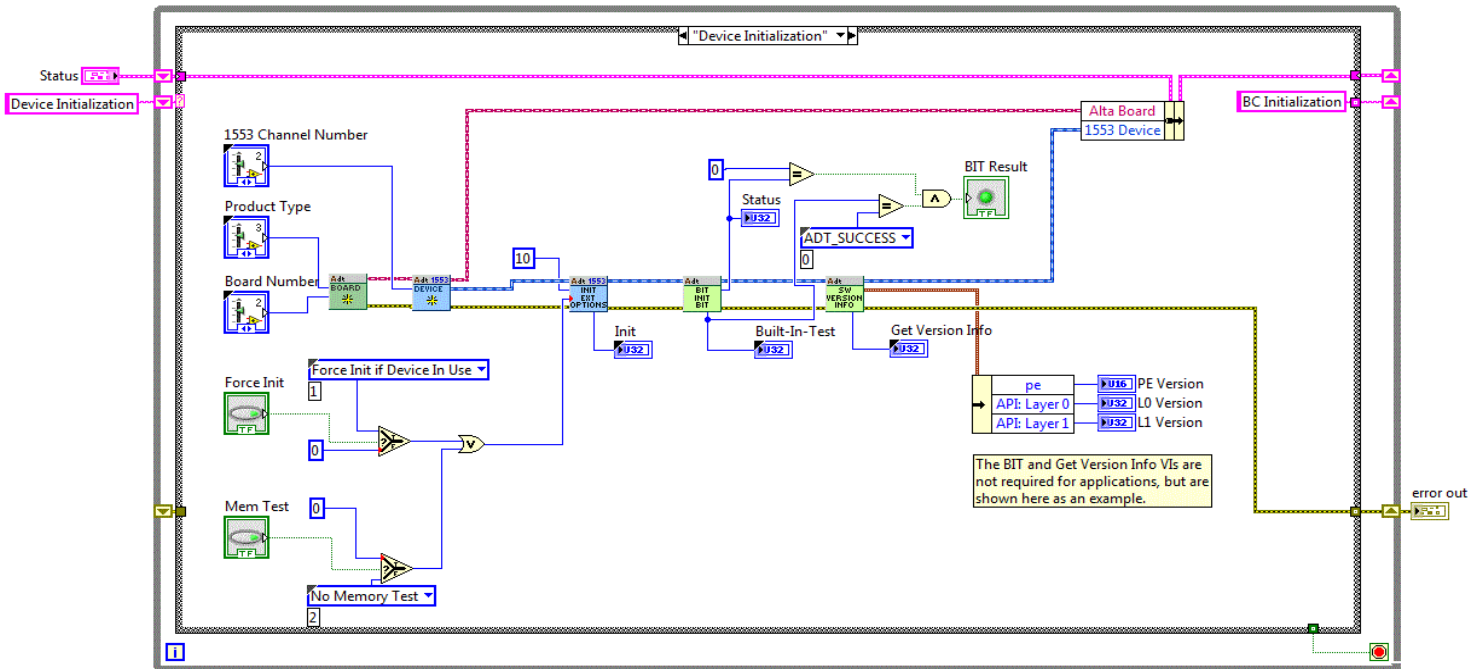


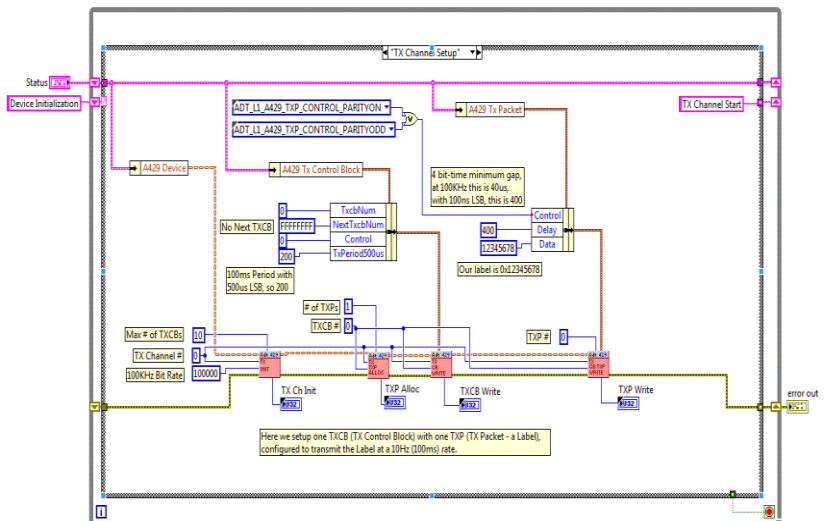
Alta's MIL-STD-1553 & ARINC products are supported by the industry's most advanced National Instruments' LabVIEW™ & RT Support Tools, **AltaAPI-LV**. Built in native NI LabWindows environment and using NI-VISA drivers, Alta's **AltaAPI-LV** provides a unified NI tool for easy integration to LabVIEW, RT, and LabWindows™ applications.



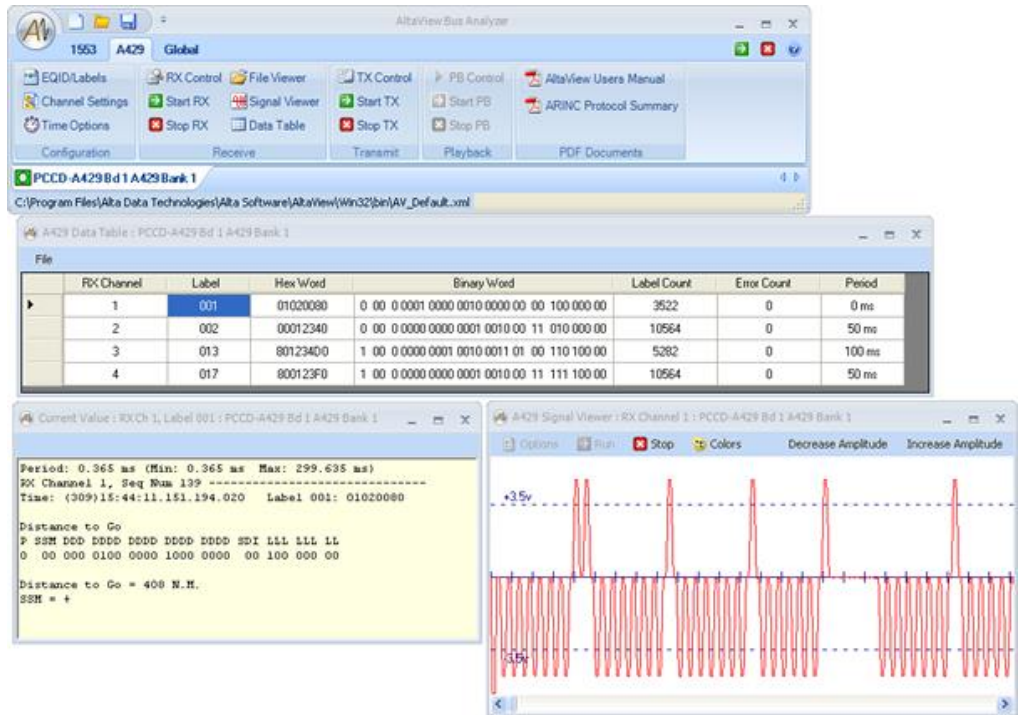
Key Features of AltaAPI-LV

- Use a single software package for LabVIEW, RT and LabWindows Environments
- Numerous example VI's that setup the most common applications.
 - Customers can jump start their application and save hours even days of coding time
- Excellent Documentation – Full User's Manual to detail installation and provide VI function references
- Combine multi-channel and multi-protocol applications as desired
 - Each 1553 channel or ARINC channel bank is independently controlled device
- Native LabVIEW installation and Alta VI pallets
- The user can also reference over 80 ANSI C language example programs that match up to the LabVIEW Virtual Instruments
- Native NI-VISA drivers for standard Windows or RT Support with the same package

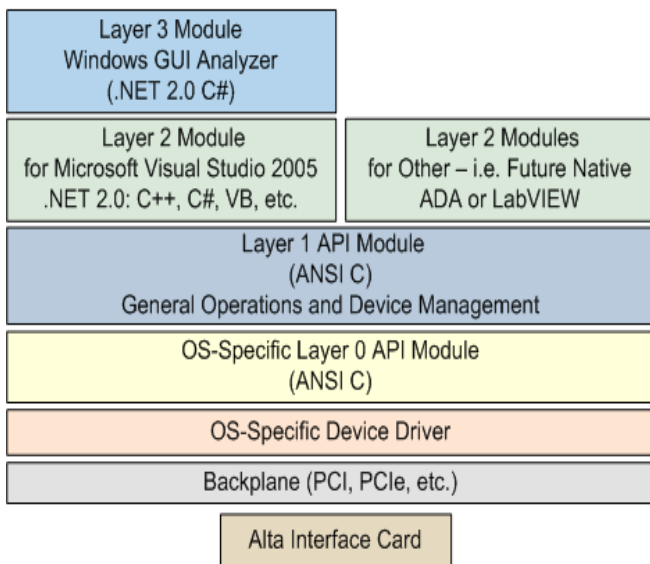
AltaAPI-LV package has been developed in the native NI environment to ensure maximum compatibility!



- Combine with *AltaView* Bus Analyzer**
- **AltaView is optional software, and its basic functions will work with any Alta Product free of charge! !**
 - Multi-channel and multi-protocol analyzer
 - Intuitive design makes it simple to use for any skill level.
 - Many industry advanced features including full activity discovery, signal capture, archiving, full simulation, etc...
 - Run LabVIEW on one Channel and AltaView on other channels/cards for maximum flexibility in system integration



AltaAPI Architecture



Alta's 1553 and ARINC products are supported standard by the most advanced Application Program Interface (API) library tools in the avionics industry: **AltaAPI**. This software tool kit's architecture allows the user to build extremely powerful and portable applications. Alta's software design manages the low level hardware control registers to reduce the coding effort and make applications more reliable.

Alta Data Technologies LLC
 4901 Rockaway Blvd., Building A
 Rio Rancho, NM 87124 USA
 (In US): 888-429-1553
 (Outside US): 505-994-3111
 Fax: 805-504-8588
 Cage Code: 4RK27 • NAICS: 334119
 www.altadt.com • alta.sales@altadt.com

- Alta Products Simplify System Integration and Test**
- AltaAPI-LV Native package for LabVIEW 2010 +. Legacy DLL Package for Versions 8.6.1 to 2009. 32-Bit or 64-Bit LabVIEW support.
 - Most Alta cards and ENET devices are supported by AltaAPI-LV, but contact the factory to ensure proper selection and software coverage.
 - The only product that can execute and pass the SAE AS4111 5.2 Protocol Tests Through Alta's AltaRTVal Package (not part of AltaAPI-LV) This ensures 1553 system compatibility

Information provided is subject to change without notice. Alta is not responsible for errors or omissions. All trademarks are reserved by their respective owners. Page 2/2 - 1808